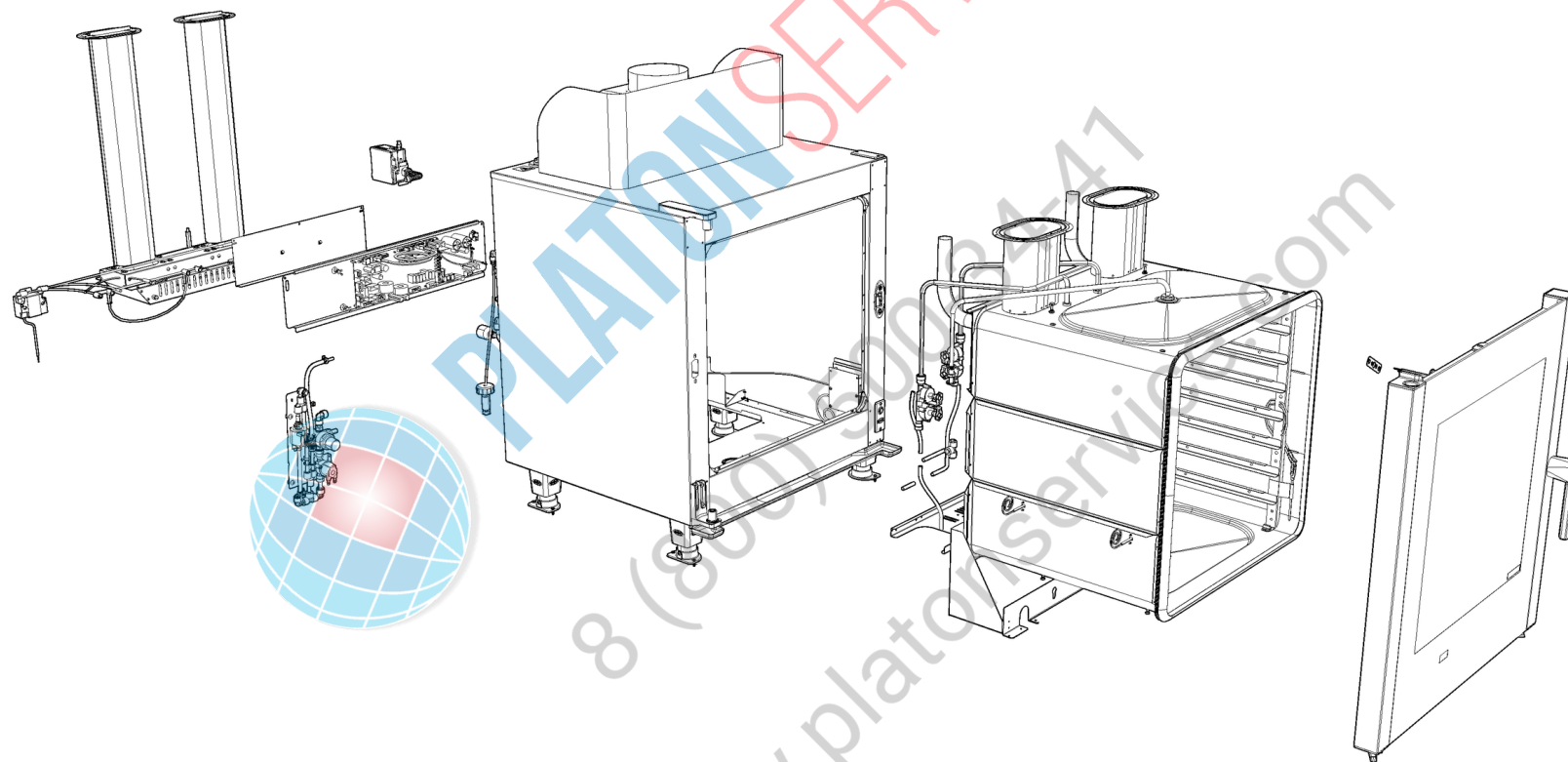
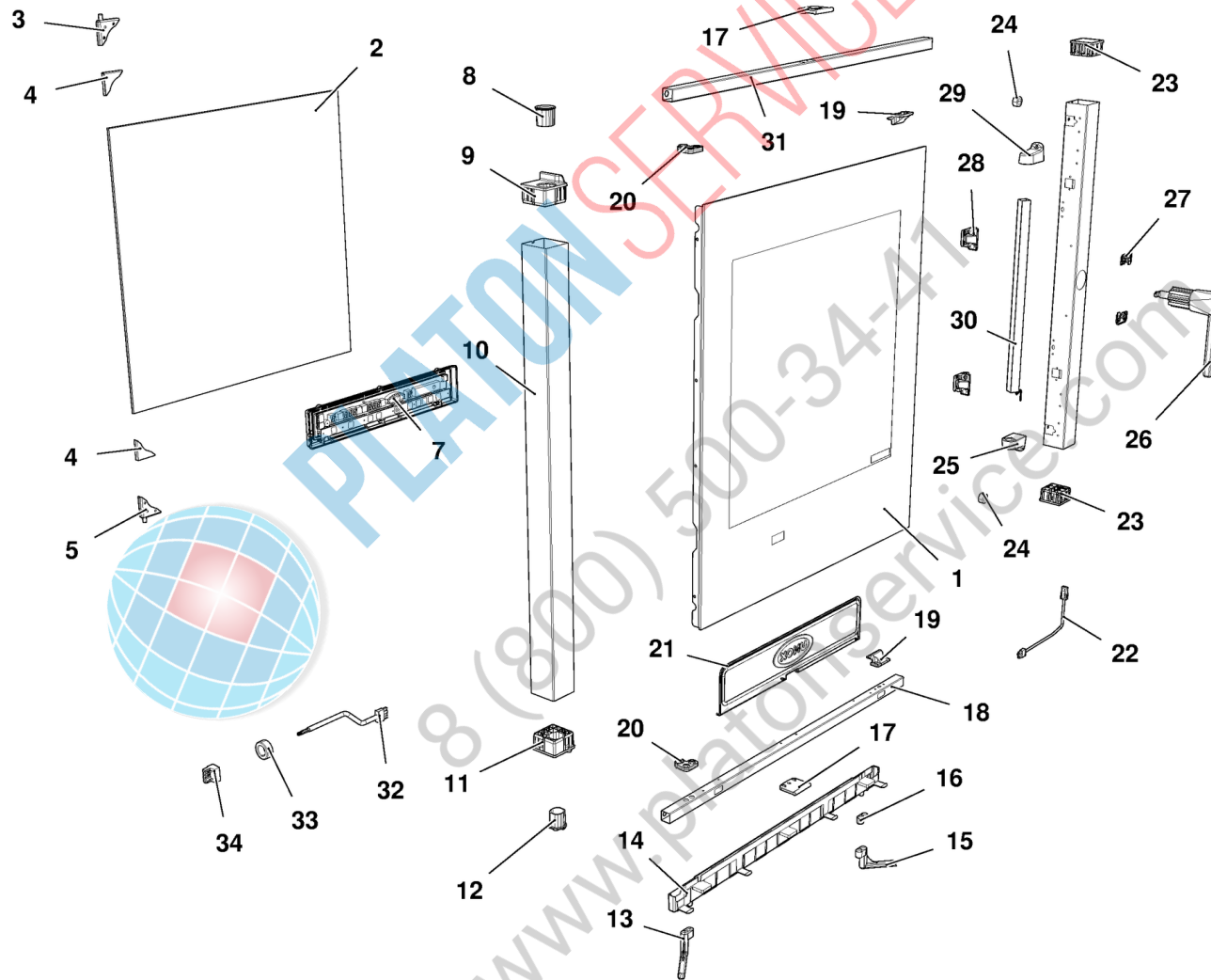


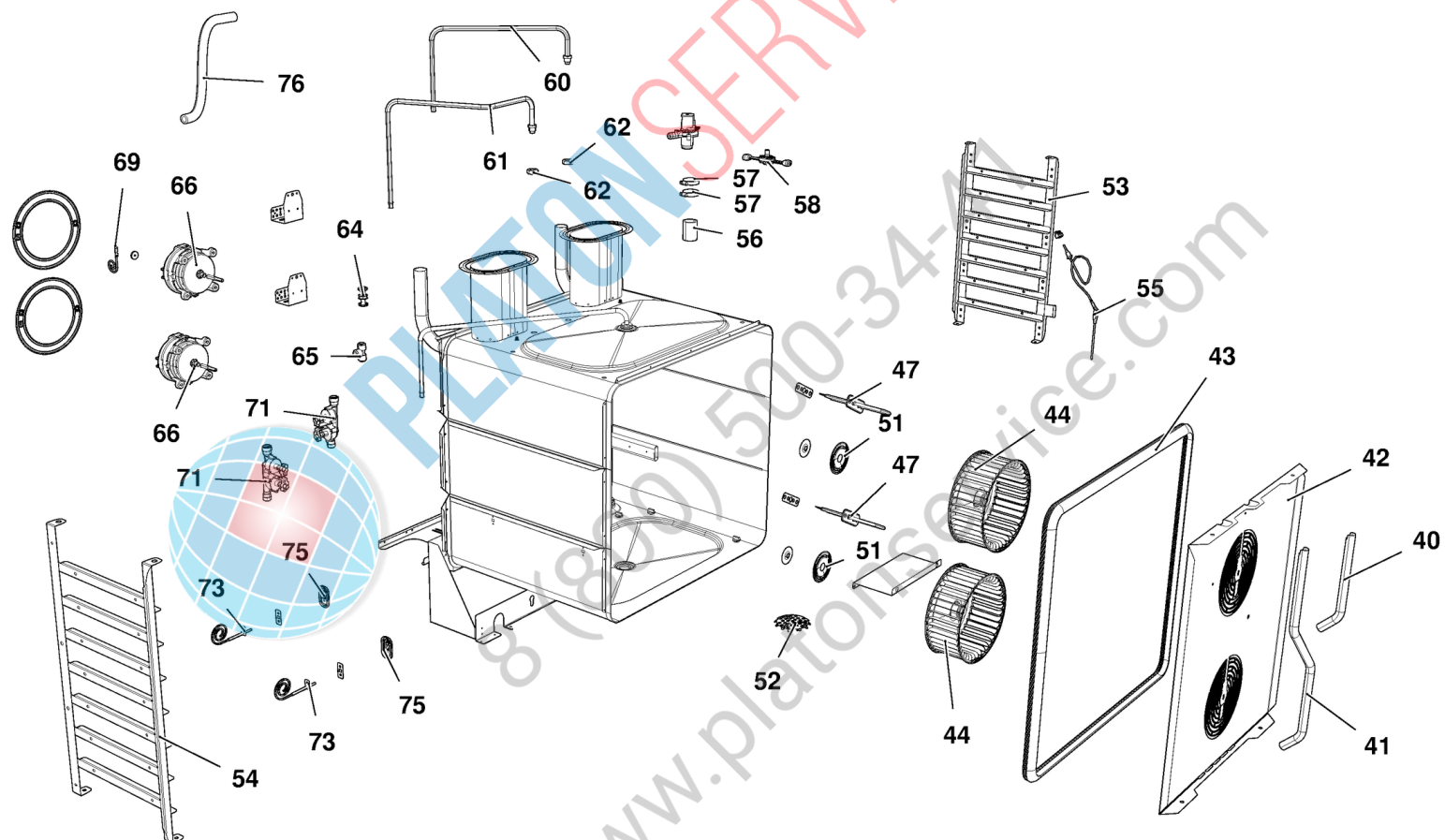
MOD:XVC515EG



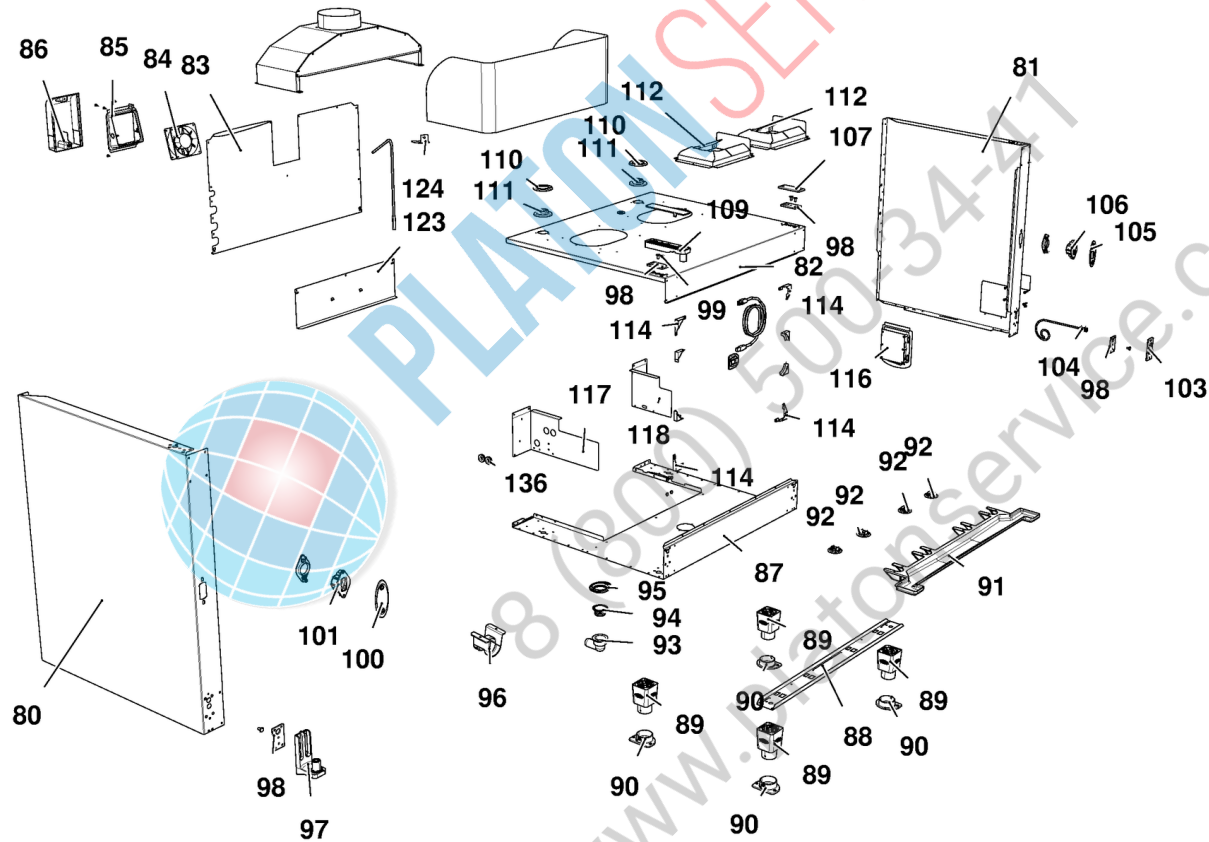
MOD:XVC515EG



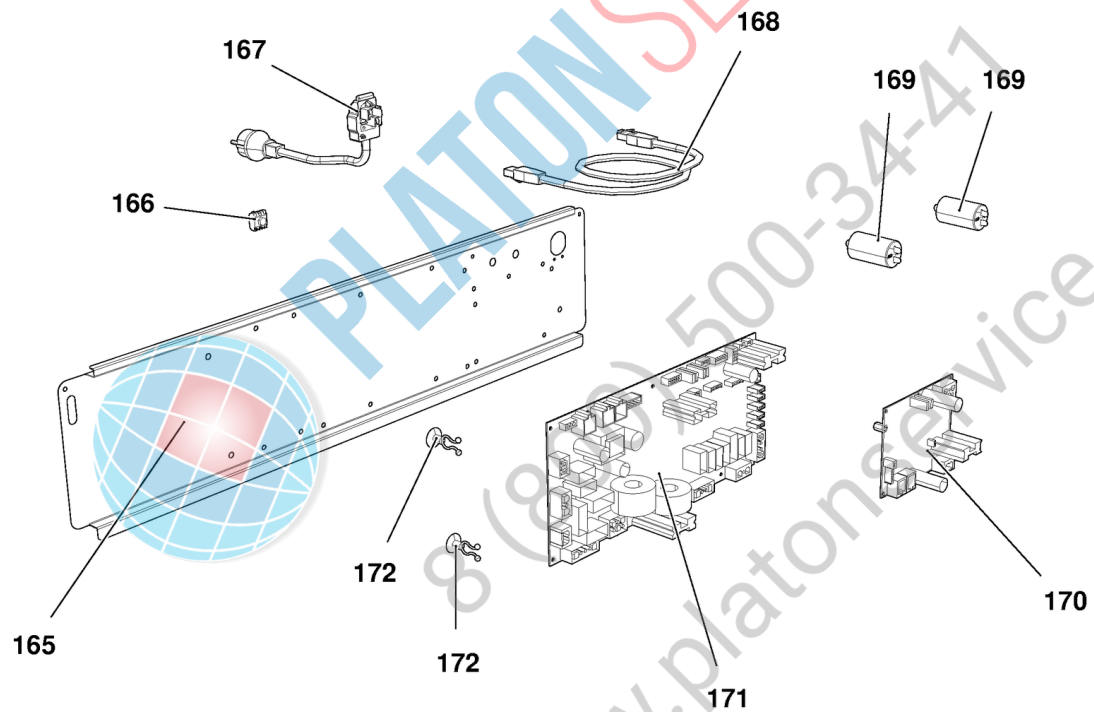
MOD:XVC515EG



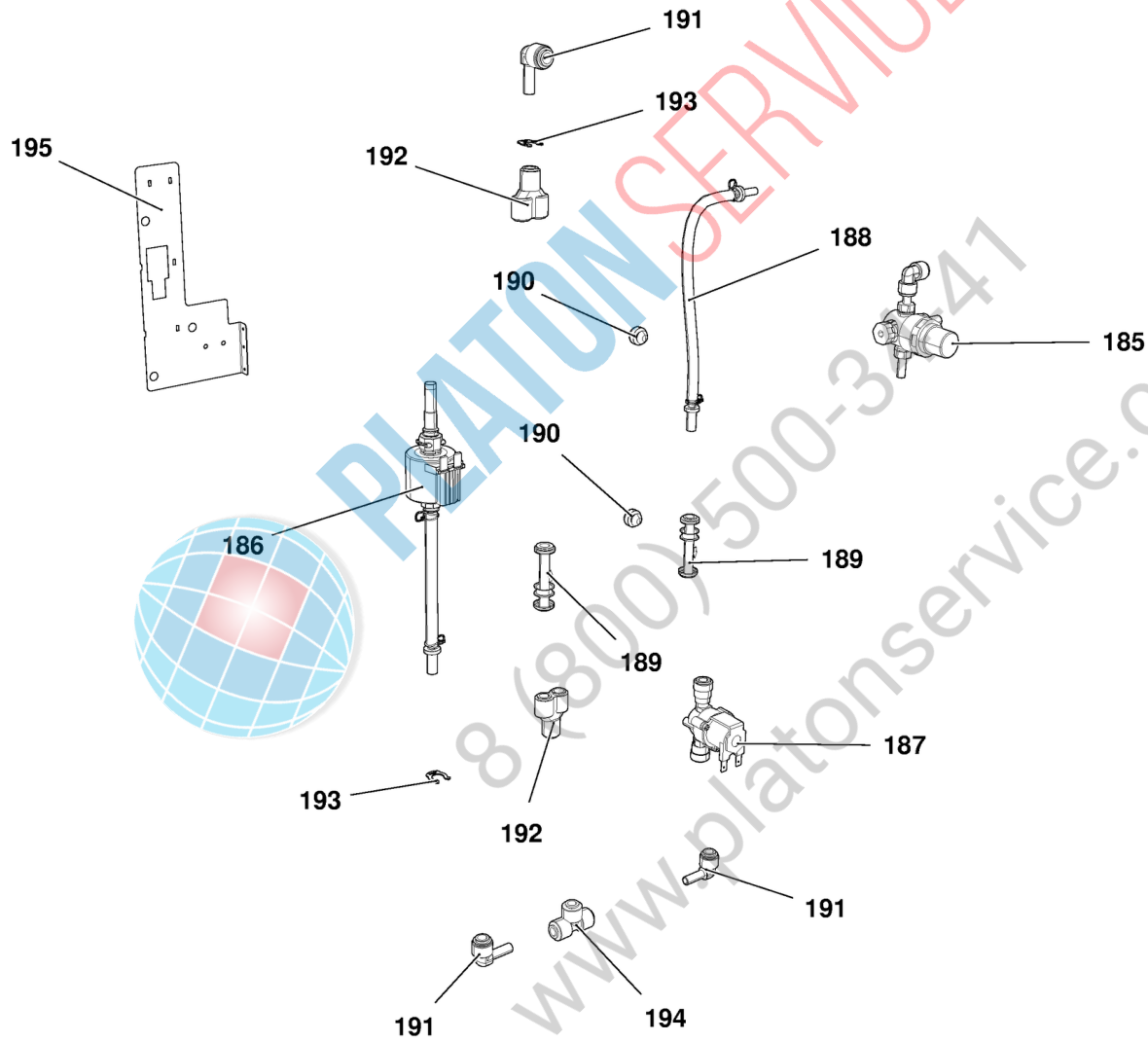
MOD:XVC515EG



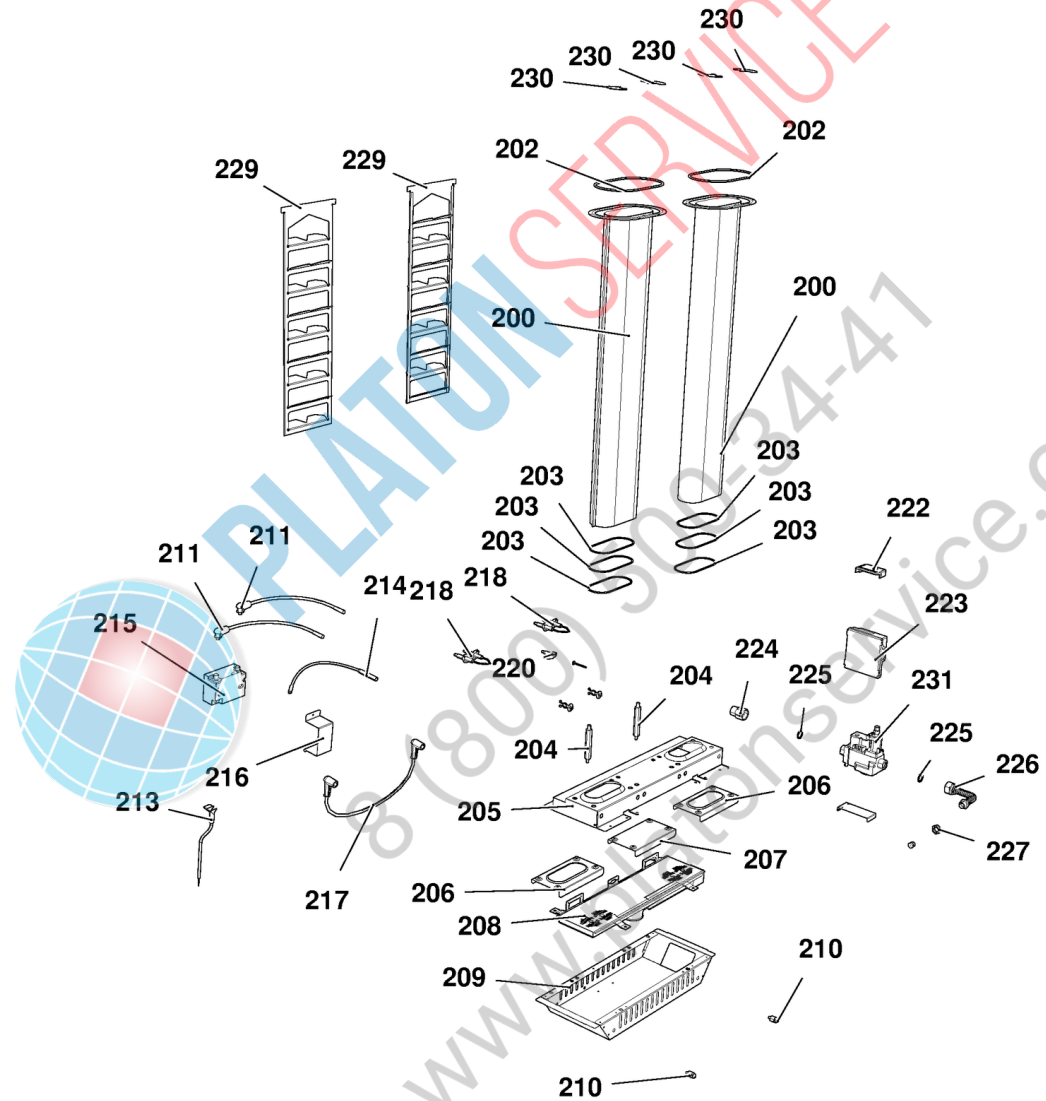
MOD:XVC515EG



MOD:XVC515EG



MOD:XVC515EG



MOD:XVC515EG



IT

Descrizione codici

1	VT1101B	VETRO ESTERNO SER. 647X743X4 CTFI
2	VT1100A	VETRO INTERNO 633X620X6 BETFL XVC
3	CR1085A	CERNIERA VETRO INT INOX SUP
4	GN1181A	GUARNIZIONE CERN VETRO INT CR1085
5	CR1086A	CERNIERA VETRO INT INOX INF
7	PE1740A	SCHEDA CONTROLLO PE1705 CT BT
8	VM1511A	BOCCOLA LISCIA PERNO PORTA CHEFFT
9	VM1170B	TAPPO FULCRO SUP. PORTA XVC204/30
10	TB1191A	COLONNINA SX XVC505 XBC605 50x50x
11	VM1171B	TAPPO FULCRO INF. PORTA XVC204/30
12	VM1510A	BOCCOLA SCANALATA PERNO PORTA XBC
13	VM2014A	TUBO PER PROFILO RACCOGLI GOCCE S
14	VM1616A	PROFILO SALVAGOCCIA 300/500/700
15	VM2015A	TUBO PER PROFILO RACCOGLI GOCCE D
16	VM2044A	TAPPO PER PROFILO RACCOGLI GOCCE
17	VM2031A	PREMIVETRO ESTERNO
18	TB2326A	LISTELLO INF. XVC305E/505E/705E 2
19	VM2043A	SUPPORTO VETRO SUP - INF
20	VM1680A	CERNIERA APERTURA VETRO INTERNO
21	OH4310A	PROFILO INOX PARACALORE CRUSCOTTO
22	CE1665A	CAVO ALIMENTAZIONE BARRA LED 1 MT
23	VM1175A	TAPPO ESTETICO COLONNINA PORTA
24	VE1030A	CALAMITA D=22,9mm PER MICROPORTA
25	VM1620A	SUPPORTO INF BARRA LED
26	VM1180A	IMPUGNATURA MANIGLIA XVC204/304/5
27	VM1490A	COPRI VITI MANIGLIA CHEFTOP BAKER
28	VM2042A	ASSIEME CHIUSURA VETRO INTERNO LA
29	VM1621A	SUPPORTO SUP BARRA LED
30	LP1002B	BARRA ILLUMINAZIONE LED L400
31	TB2325A	LISTELLO SUP. XVC305E/505E/705E 2
32	CE1310A	CAVO COLLEGAMENTO POTENZA CONTROL

33	CE1285A	FERRITE EMI ROUND MOD. 2643801502
34	CE1290A	MORSETTO FEMMINA ESTRAIBILE CPF 5
40	TB1358A	TUBO INT. UMIDITA' CENT. XVC515G
41	TB1357A	TUBO INT. UMIDITA' SX XVC515G Ø16
42	OG1420B	CARTER ARIA XVC515G
43	GN1390C	GN1006A-GUARNIZIONE PORTA XVC505E
44	VN1030A	VENTOLA D196 H81 39 PALE DADO M8
47	RS1215A	RES. PIANA 147W 105V D230 1 SPIRA
51	OH4305A	DISCO TENUTA ALBERO MOTORE INOX S
52	OH2551A	TAPPO PER TUBO DI SCARICO LIQUIDI
53	GRL1225A	SUPPORTO LATERALE DX INOX 7TG GN1
54	GRL1226A	SUPPORTO LATERALE SX INOX 7TG GN1
55	SN1002A	SONDA AL CUORE MULTIPUNTO L=2050
56	TB1956A	TB1520A-TUBO NERO EPDM L=50
57	RC1378A	FASCETTA STRINGI TUBO ZINCATA
58	VM1955B	CORPO GIRANTE LAVAGGIO
59	VE1135A	ATTUATORE VENTURI 220V 50/60 Hz S
60	TB1515A	TUBO EST. UMIDITA' + RC1165A0
61	TB2246A	TUBO EST. UMIDITA' + RC1165A0
62	RC1170A	DADO M14 H=8 CH=22 INOX
64	EL1055A	RIDUZIONE INTERMEDIA D10-D8
65	EL1020A	RACCORDO INTERMEDIO "T" TUBO Ø8
66	VN1130A	MOTORE FORNO 330W 230V 50/60HZ
69	PE1710A	SENSORE NUMERO GIRI MOTORE
71	EL1361A	ELETTRIVALVOLA TRI-STADIO JG D8-D
73	TR1106A	SONDA TEMPERATURA PT100 L2000
75	VM1465A	COPERCHIO Sonda TEMPERATURA CHEFT
76	TB1923A	TUBO SILICONE VENTURI D25 XVC505
80	OD2178A	FIANCO SX XVC505E
81	OD2179A	FIANCO DX XVC505E
82	OD2191A	COPERCHIO XVC GAS GN1/1 S.5E

83	OF1441A	SCHIENA XVC515EG
84	VN1120B	VENTOLA RAFFREDDAMENTO 12V
85	VM1555A	SUPPORTO VENTOLA RAFFREDDAMENTO C
86	VM1556A	PROTEZIONE VENTOLA RAFFREDDAMENTO
87	OE1322A	FONDO EST. GAS CT GN1/1 S.5E
88	OH1019A	LAMIERA RINFORZO PIEDI H100 CT
89	PD1066B	PIEDE H100 PLASTICA BICOMPONENTE
90	PD1063A	STAFFA BLOCCAGGIO PIEDE CT BT
91	VM1991A	CASSETTO RACCOGLI GOCCE 750
92	VM1220A	CLIP FISSAGGIO CASSETTO RACCOGLI
93	VL1026A	CURVA PER TUBO DI SCARICO
94	GN1400A	GUARNIZIONE SIFONE
95	VM2039A	ANELLO FISSAGGIO CURVA DI SCARICO
96	VM2035A	SUPPORTO PER TUBO DI SCARICO
97	VM1160B	STAFFA INFERIORE PORTA CT BT
98	OH2560A	CONTROSTAFFA ZINCATA PORTA C.T.
99	VM1240A	TAPPO NYLON SUPPORTO CONTROSTAFFA
100	VM1461A	COPERCHIO SX SCROCCO PORTA XBC/XV
101	VM1191A	SCROCCO MANIGLIA SX CT BT
103	VM1201A	PIASTRINA SUPPORTO MICROPORTA MAG
104	VE1020A	MICROINTERRUTTORE PORTA MAGNETICO
105	VM1460A	COPERCHIO DX SCROCCO PORTA XBC/XV
106	VM1190A	SCROCCO MANIGLIA DX CT BT
107	VM1195A	PIASTRINA COPRIFORI XVC204/304/50
109	VM1165B	STAFFA SUPERIORE PORTA CT BT
110	OH3790A	LAMIERA TENUTA CAMINO
111	GN1275A	GUARNIZIONE CAMINO SILICONE NERO
112	ON1379A	LAMIERA LATERALE CANNE IPX
114	OH1450A	ANGOLO FACCIATA MUFFOLA INOX XB-X
116	PE1971A	ASSIEME RIARMO RJ45
117	OH6506A	LAMIERA COP ACCENDITORE XVC GAS G

118	OH3960A	LAMIERA COPERTURA Elett. GAS INOX
123	OH5114A	LAMIERA COPERTURA BRUCIATORE CT-G
124	TR1110A	SONDA TEMPERATURA TC K L=2000
136	GN1311A	PASSACAVO GOMMA DE=25 DI=12 SP=6.
165	OP1008A	PORTACOMPONENTI XVC GA CT S.5E
166	VM1750A	MORSETTIERA A PETTINE
167	MR1000A	CAVO 3X1,5 H07RN-F MT1,5+K2/3+SCH
168	CE1400A	CAVO RJ45 - RJ45 L=0,5MT
169	VE1110A	CONDENSATORE 6,3 µF 450VAC 50/60
170	PE1730C	SCHEDA GESTIONE CENTRALINA GAS CT
171	PE1725D	SCHEDA POTENZA FORNI CT-BT S5.E
172	VM1610A	CLIP TWIST LOCK DIAM. 7,6-10,2 MM
185	VL1014A	RIDUTTORE DI PRESSIONE CON DISTRI
186	VL1038A	POMPA VIBRAZIONE
187	EL1411A	ELETTRIVALVOLA H2O CON CHECK VALV
188	TB2403A	TUBO PVC Ø9X6 L 250 MM
189	EL1180A	RACCORDO NON RITORNO Ø8 Ø8 FEMMIN
190	VM1630A	TAPPO PREMI VETRO INTERNO
191	EL1195B	RACCORDO GOMITO D8F-D8M
192	EL1115B	RACCORDO Y D8
193	EL1345A	CLIP BLOCCA PINZETTA RACCORDI Ø8
194	EL1020A	RACCORDO INTERMEDIO "T" TUBO Ø8
195	OH6413A	SUPPORTO IMPIANTO IDRICO
200	ON1160A	CANNA SCAMBIATORE XVC515G
202	LV1525A	GUARNIZIONE CORDA FIBRA DI VETRO
203	GR1070A	ANELLO PER LABIRINTO CANNA-PORTAC
204	TF1040A	COLONNINA FISSAGGIO BRUCIATORE XV
205	ON1310A	SCATOLA SUP. BRUCIATORE ATM V2
206	ON1190A	SCUDO INTERNO XVC314/514/714
207	ON1195A	SCUDO INTERMEDIO XVC314/514/714 G
208	BR1305A	ASS. BRUCIATORE ATM XVC/XBC 5 CAN

209	ON1185A	SCATOLA INFERIORE XVC314/514/714G
210	TF1045A	PERNO SOSTEGNO ANTERIORE BRUCIATO
211	CE1777A	CAVO FIDA ACCENSIONE HV L=650
213	CE1789A	CAVO FIDA ALIMENTAZIONE ACCENDITO
214	CE1792A	CAVO CANDELA RILEVAZIONE FIAMMA
215	VE1621A	ACCENDITORE FIDA
216	OH5126A	OMEGA FISSAGGIO ACCENDITORE
217	CE1782A	CAVO FIDA PONTE HV L=300
218	BR1310A	CANDELA DOPIA ACCENSIONE XVC-XBC
220	BR1230A	CANDELA DI RILEVAZIONE ACCENSIONE
222	VE1060A	COPERCHIO PER VE1055A0
223	VE1055A	CONTROLLO FIAMMA HLL 220-240V 5 S
224	RC1045A	RACC DRITTO OTT FIL 3/4GAS FEMM.
225	VI1130A	RONDELLA ALL.24x18x1,5 TENUTA GAS
226	RC1325A	RACCORDO FLESS.LE GAS 3/8 EST-M13
227	VI1140A	DADO 3/8" GAS FEMM 22x7 OTTONE OT
229	ON1165A	TURBOLATORE INOX XVC515
230	ON1135A	FORCHETTA PER TURBOLATORI GAS
231	EL1400B	ELETTRIVALVOLA MODULANTE GAS HONE

MOD:XVC515EG



EN

Codes descriptions

1	VT1101B	XVC505 EXTERNAL GLASS 647x743x4
2	VT1100A	INNER GLASS 633X620X6 BETFL XVC50
3	CR1085A	INTERNAL GLASS UPPER HINGE
4	GN1181A	INTERNAL GLASS HINGE SEAL
5	CR1086A	INTERNAL GLASS LOWER HINGE
7	PE1740A	CT BT CONTROL BOARD PE1705 + BOAR
8	VM1511A	XBC/XVC SLEEK DOOR PIN BUSHING
9	VM1170B	UPPER DOOR FULCRUM CAP
10	TB1191A	XVC505 XBC605 ST. STEEL LEFT DOOR
11	VM1171B	DOOR LOWER FULCRUM CAP
12	VM1510A	XBC/XVC GROOVED DOOR PIN BUSHING
13	VM2014A	LEFT DRIP PROFILE PIPE
14	VM1616A	300/500/700 E SERIES DRIP PROFILE
15	VM2015A	RIGHT DRIPPING PIPE
16	VM2044A	DRIP PROFILE CAP
17	VM2031A	EXTERNAL GLASS PUSHING PLATE
18	TB2326A	XVC305E/505E/705E LOWER LISTEL 20
19	VM2043A	UPPER - LOWER GLASS SUPPORT
20	VM1680A	INTERNAL GLASS HINGE
21	OH4310A	ST. STEEL HEAT-GUARD FOR CONTROL
22	CE1665A	LED POWER SUPPLY 1 M CABLE
23	VM1175A	DOOR COLUMN BLANKING CAP
24	VE1030A	MAGNET FOR DOOR MICROSWITCH D=22,
25	VM1620A	LED BAR LOWER SUPPORT
26	VM1180A	4 AND 5 SERIES CT BT HANDLE HAFT
27	VM1490A	CHEFTOP/BAKERTOP HANDLE SCREWS CO
28	VM2042A	INTERNAL GLASS LATERAL LOCKING SY
29	VM1621A	LED BAR UPPER SUPPORT
30	LP1002B	LED LIGHTING BAR L400
31	TB2325A	XVC305E/505E/705E UPPER LISTEL 20
32	CE1310A	POWER - CONTROL BOARD CONNECTING

33	CE1285A	EMI ROUND FERRITE MOD.2643801502
34	CE1290A	EXTRACTABLE FEMALE TERMINAL CPF 5
40	TB1358A	XVC515EG INTERNAL CENTRAL WATER P
41	TB1357A	XVC515EG INTERNAL LEFT WATER PIPE
42	OG1420B	XVC515EG FAN GUARD
43	GN1390C	GN1006A - XVC505E DOOR SEAL
44	VN1030A	MOTOR FAN D196 H81 39 BLADE NUT M
47	RS1215A	147W 105V D230 1 TURN FLAT ELEMEN
51	OH4305A	ST. STEEL MOTOR SHAFT SEALING DIS
52	OH2551A	XBC/XVC ST.STEEL DRAIN COVER
53	GRL1225A	7 GN1/1 ST. STEEL RIGHT LATERAL S
54	GRL1226A	7 GN1/1 ST. STEEL LEFT LATERAL SU
55	SN1002A	CORE PROBE MULTIPOINT L=2050
56	TB1956A	TB1520A - EPDM BLACK PIPE L=50
57	RC1378A	HOSE CLAMP
58	VM1955B	WASHIG SYSTEM ROTOR
59	VE1135A	VENTURI ACTUATOR 220 V 50/60 Hz S
60	TB1515A	EXTERNAL WATER PIPE + RC1165A0
61	TB2246A	EXTERNAL WATER PIPE + RC1165A0
62	RC1170A	STAINLESS STEEL NUT M14 H=8 CH=22
64	EL1055A	INTERMEDIATE REDUCTION FROM D=10
65	EL1020A	INTERMEDIATE "T" CONNECTION ø8
66	VN1130A	330W 230V 50/60HZ MOTOR
69	PE1710A	MOTOR REVOLUTIONS SENSOR
71	EL1361A	J.G. THREE-STAGE SOLENOID VALVE D
73	TR1106A	TEMPERATURE PROBE PT100 L=2000
75	VM1465A	CHEFTOP TEMPERATURE PROBE COVER
76	TB1923A	XVC505 VENTURI SILICON PIPE D25
80	OD2178A	XVC505E EXTERNAL LEFT SIDE PANEL
81	OD2179A	XVC505E EXTERNAL RIGHT SIDE PANEL
82	OD2191A	S.5E GN1/1 GAS CHEFTOP EXT. COVER

83	OF1441A	XVC515EG EXTERNAL BACK PANEL
84	VN1120B	12V COOLING DOWN FAN
85	VM1555A	CT BT COOLING DOWN FAN SUPPORT
86	VM1556A	XBC-XVC COOLING FAN GUARD
87	OE1322A	S.5E GN1/1 GAS CHEFTOP EXT. BOTTO
88	OH1019A	BRACKET FOR CHEFTOP H100 FEET
89	PD1066B	BI-COMPONENT FOOT H100
90	PD1063A	CT BT FOOT STOP BRACKET
91	VM1991A	CHEFTOP E SERIES DRIP TRAY
92	VM1220A	CLIP TO FIX DRIP TRAY C.T.
93	VL1026A	BEND FOR DRAIN PIPE
94	GN1400A	U-TRAP SEAL
95	VM2039A	DRAIN BEND FIXING RING
96	VM2035A	DRAIN PIPE SUPPORT
97	VM1160B	CT BT DOOR LOWER BRACKET
98	OH2560A	XBC/XVC ZINC PLAT. DOOR COUNTERBR
99	VM1240A	NYLON SUPPORT CAP
100	VM1461A	XBC/XVC LEFT DOOR LATCH CAP
101	VM1191A	CT BT LEFT DOOR SPRING LATCH
103	VM1201A	MAGNETIC SUPPORT PLATE FOR DOOR M
104	VE1020A	MAGNETIC DOOR MICROSWITCH
105	VM1460A	XBC/XVC RIGHT DOOR LATCH CAP
106	VM1190A	CT BT RIGHT DOOR SPRING LATCH
107	VM1195A	HOLES BLANKING PLATE XVC204/304/5
109	VM1165B	CT BT DOOR UPPER BRACKET
110	OH3790A	CHIMNEY HOLDING PLATE
111	GN1275A	XBC/XVC BLACK CHIMNEY SEALING
112	ON1379A	HEAT EXCHANGER LATERAL PANEL
114	OH1450A	XB-XV-XG ST. STEEL MUFFLE FRONT C
116	PE1971A	RI45 CONNECTION + RESET POINT
117	OH6506A	E SERIES GN1/1 XVC GAS LIGHTER CO

118	OH3960A	GAS VALVE COVER
123	OH5114A	CHEFTOP GAS BURNER COVER
124	TR1110A	TC K TEMPERATURE PROBE L=2000
136	GN1311A	RUBBER CABLE-PASSING De=25 Di=12
165	OP1008A	E SERIES XVC GAS COMPONENTS HOLDE
166	VM1750A	TERMINAL BOARD
167	MR1000A	CABLE 3X1,5 H07RN-F MT1,5+K2/3+S
168	CE1400A	RI45 - RI45 CABLE L=0,5MT
169	VE1110A	CONDENSER 6,3 µF 450VAC 50/60Hz
170	PE1730C	CT-BT GAS CONTROL BOARD
171	PE1725D	E SERIES CHEFTOP-BAKERTOP POWER C
172	VM1610A	CLIP TWIST LOCK DIAM. 7,6-10,2 MM
185	VL1014A	PRESSURE REDUCER WITH DISTRIBUTOR
186	VL1038A	VIBRATION PUMP
187	EL1411A	SOLENOID VALVE WITH CHECK VALVE
188	TB2403A	ø9X6 L 250 MM PVC PIPE
189	EL1180A	ø8 ø8 FEMALE NON-RETURN CONNECTO
190	VM1630A	INTERNAL GLASS PUSHING CAP
191	EL1195B	D8F-D8M ELBOW CONNECTION
192	EL1115B	Y D8 CONNECTION
193	EL1345A	CLIP TO FIX ø08 mm CONNECTION JOI
194	EL1020A	INTERMEDIATE "T" CONNECTION ø8
195	OH6413A	WATER SYSTEM SUPPORT
200	ON1160A	
202	LV1525A	COUNTERPIPE GLASS FIBRE STRING SE
203	GR1070A	STAINLESS STEEL RING FOR LABYRIN
204	TF1040A	XVC/XBC BURNER FIXING COLUMN
205	ON1310A	UPPER BOX FOR ATM V2 BURNER
206	ON1190A	XBC-XVC INTERNAL BURNER GUARD
207	ON1195A	XBC-XVC MID BURNER GUARD
208	BR1305A	XVC/XBC 5 CANDLES BURNER

209	ON1185A	XVC315/515/715G ST. ST. LOWER BOX
210	TF1045A	FRONT BURNER RESTING PIN
211	CE1777A	HV L=650 STARTER FIDA CABLE
213	CE1789A	LIGHTER POWER SUPPLY FIDA CABLE
214	CE1792A	FLAME DETECTOR CANDLE CABLE
215	VE1621A	FIDA LIGHTER
216	OH5126A	LIGHTER FIXING OMEGA
217	CE1782A	HV L=300 BRIDGE FIDA CABLE
218	BR1310A	XBC-XVC DOUBLE START UP CANDLE
220	BR1230A	START UP SENSOR CANDLE
222	VE1060A	COVER FOR VE1055A0
223	VE1055A	HLL 220-240V 5 SEC FLAME CONTROL
224	RC1045A	3/4 FEMALE-3/4 STRAIGHT GAS CONNE
225	VI1130A	ALUMINIUM BUSHING 24x18x1,5 TO HO
226	RC1325A	FLEXIBLE GAS JOINT 3/8 EST-M13X1
227	VI1140A	BRASS FEMALE GAS NUT 3/8" 22x7
229	ON1165A	XVC515G-EG BAFFLE
230	ON1135A	GAS BAFFLE FORK
231	EL1400B	HONEYWELL MODULATING GAS VALVE